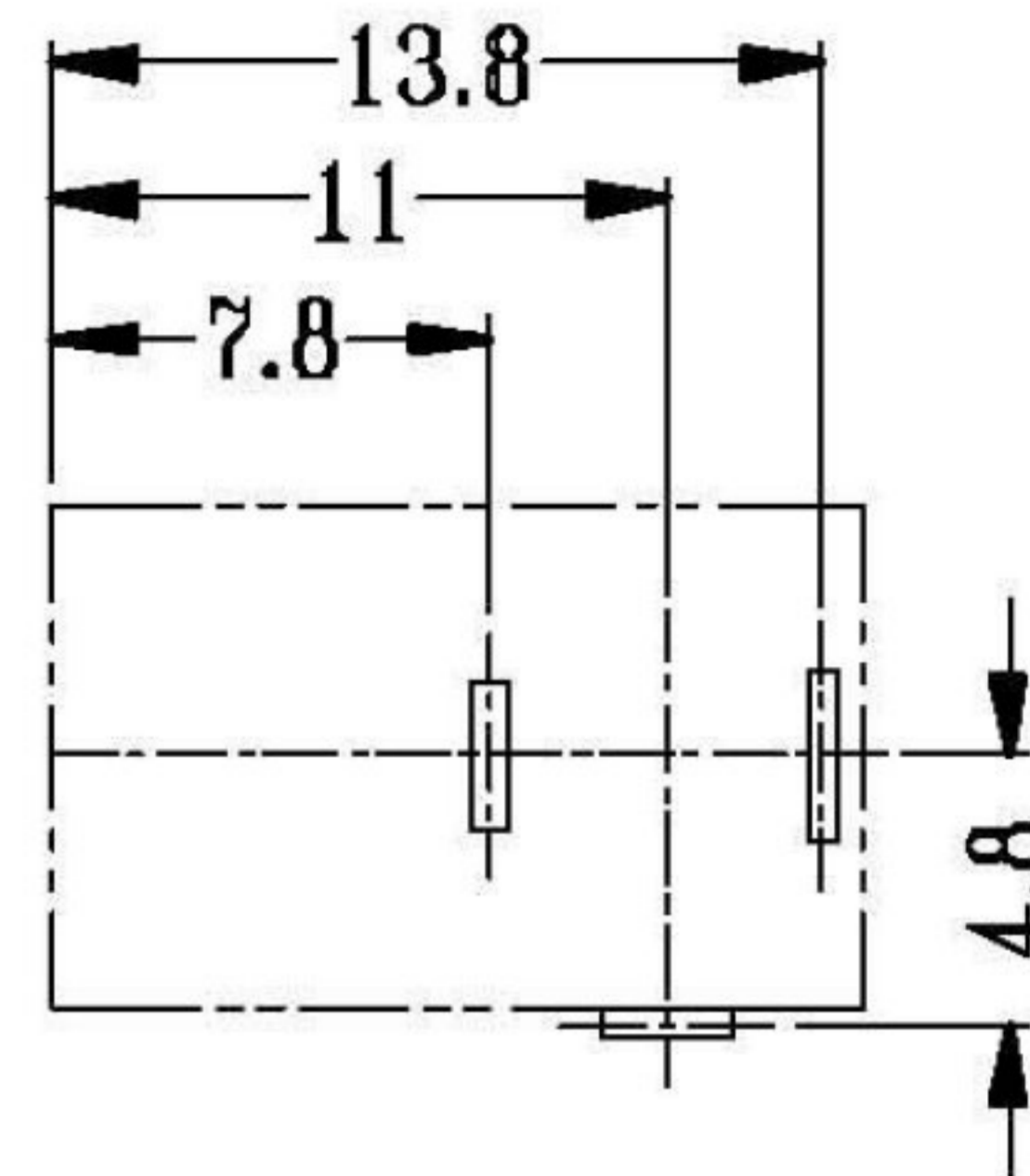



SCHEMATIC



P.C.B LAYOUT

DIA. OF PIN 'X' A = 2.5 MM
DIA. OF PIN 'X' A = 2.5 MM (SOLT)
DIA. OF PIN 'X' B = 2.0 MM
DIA. OF PIN 'X' C = 2.35 MM
DIA. OF PIN 'X' F = 1.35 MM
DIA. OF PIN 'X' K = 1.7 MM
DIA. OF PIN 'X' M = 1.9 MM
DIA. OF PIN 'X' H = 1.5 MM

NO.	PART NAME	MATERIAL	QTY.	FINISHING
6	PLUG PIN	BRASS	1	Ni PLATED
5	CONTACT	BRASS STRIP	1	Ag PLATED OVER Ni PLATED
4	TERMINAL	BRASS STRIP	1	Ag PLATED OVER Ni PLATED
3	SPRING TERMINAL	PBS/STAINLESS STEEL	1	Ag PLATED OVER Ni PLATED
2	COVER	PBT/PBT+94V0+F.G	1	BLACK
1	CASE	PBT/PBT+94V0+F.G	1	BLACK

 耀德企業有限公司 Amtek Technology Co., Ltd. TEL: 886-2-2258-9036 FAX: 886-2-2258-9035	品名 TITLE	DC POWER JACK				
	品號 PART NO.	DS-210			日期 DATE	2008/08/07
	圖號 DRAWING NO.	版本 REV.	A	繪圖 DRAWN	Sinnys	
	客戶品號 CUSTOMER P/N	比例 SCALE	FREE	核對 CHECKED	Paul	
	公差 TOLERANCE	單位 UNIT	mm	核准 APPROVED	James	

AREA	REV.	DESCRIPTION	DATE